

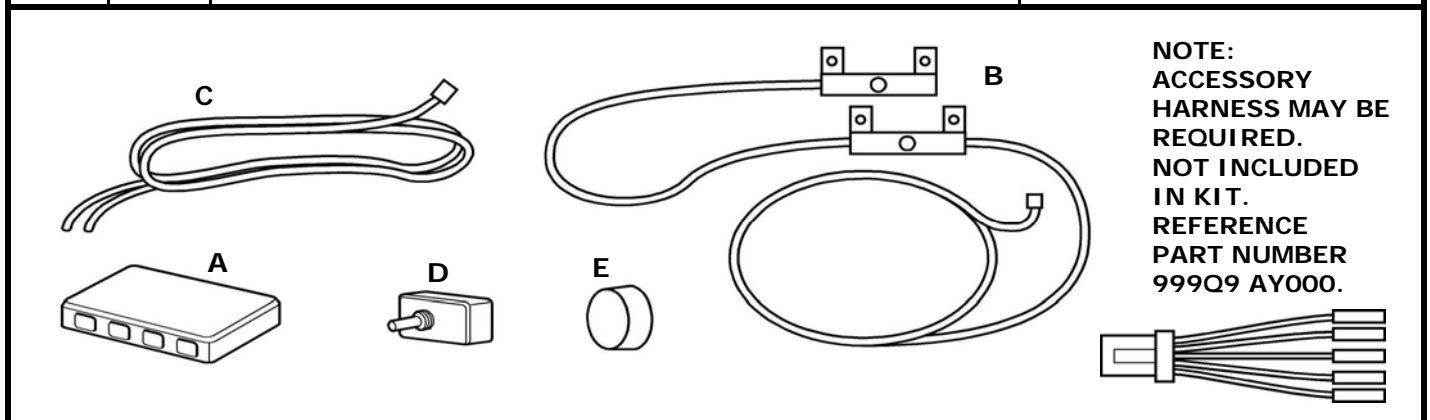


GENUINE PARTS

INSTALLATION INSTRUCTIONS

1.	DESCRIPTION:	Accent light Kit
2.	APPLICATION:	Versa Note
3.	PART NUMBER:	999F3 4Z000 - Accent Lighting Kit. 999Q9 AY000 - Accessory Service Connector (not included in kit)

4. KIT CONTENTS:			
Item	QTY	Description	Service Part Number
A	1	Control module	999F3 AW004
B	1	LED Lamp and harness assembly	999F3 4Z010
C	1	Vehicle Interface Harness	999F3 AW050
D	1	Encoder Switch	999F3 AW006
E	1	Encoder Knob	999F3 AW002



5. TOOLS REQUIRED
<ul style="list-style-type: none"> • Trim stick • Needle nose pliers • #2 Phillips screwdriver • Drill Motor • 3/16" and 5/16" drill bits • Electrical tape, masking tape. • Scissors • Protective cloth

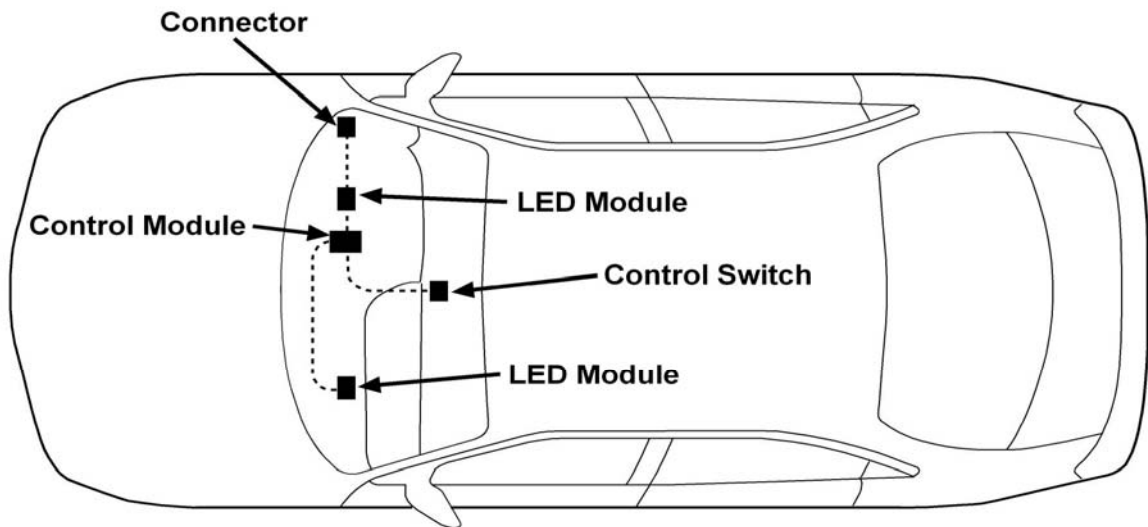
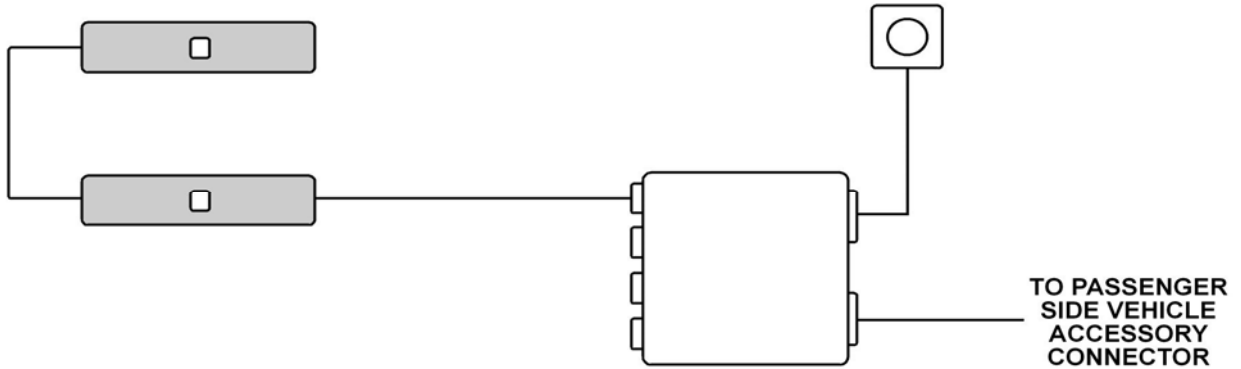
6. PRE-INSTALLATION CAUTION/NOTES
<ul style="list-style-type: none"> • Dealer installation recommended. Instructions may refer to Service Manual • Installation may require special tools • This part is to be installed within a surface temperature range of 65-100°F

⚠ CAUTION

- This accessory must only be installed as specified in these instructions.
- Ensure at all times that parts are securely fitted and will not compromise the safe function of vehicle systems.

INSTALLATION INSTRUCTIONS - Accent lighting Kit

7. INSTALLATION OVERVIEW



8. CRITICAL STEPS

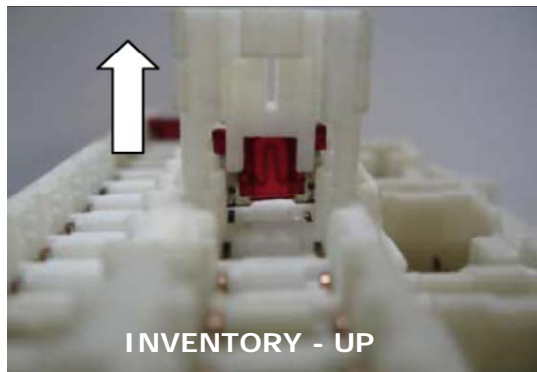
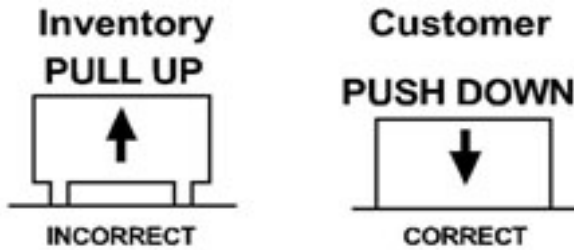
The following steps are critical and must be performed **EXACTLY** as specified to ensure proper installation:

- Location of the lights must be followed exactly as described in this instruction.
- Posi-Tap™ instructions must be specifically followed as described.

INSTALLATION INSTRUCTIONS - Accent Lighting Kit

9. VEHICLE PREPARATION

- 1) Apply parking brake
- 2) Confirm the vehicle is no longer in the default shipping state (Extended Storage Switch Pulled Up and BCM in Transit Mode). Failure to confirm the vehicle has been removed from this state will result in the loss of normal vehicle operation.
- 3a) Locate the Extended Storage Switch in the cabin fuse block. Once located, check that it is in the "Customer" position. See below for reference.



3b) To remove transit mode:

1. Remove fuse cover lid
2. Push down shorting pin
3. Ign On 2 times without turning vehicle on

To return to transit mode:

1. Ign Off
2. Remove fuse cover lid
3. Pull up shorting pin
4. Assemble fuse cover lid
5. Ign On 2 times without turning vehicle on
6. Confirm transit mode condition on meter

NOTE: Typical vehicle condition shown here. Switch is easily identifiable by the permanent, push-pull fuse holder. Actual position on the fuse block may vary, vehicle to vehicle.

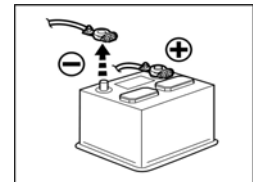
- 4) Record customer radio presets.

	1	2	3	4	5
A					
B					
C					

NOTE: USE CAUTION WHEN REMOVING / RE-INSTALLING TRIM COMPONENTS TO AVOID DAMAGE, SCRATCHES, BREAKING OF CLIPS AND / OR INTERIOR TRIM PANELS. MOVE ALL TRIM COMPONENTS TO A PROTECTED AREA.

⚠ WARNING

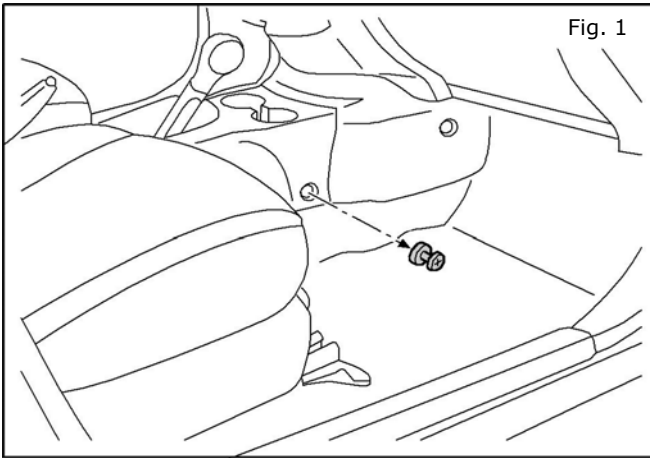
Turn ignition switch to "ACC" position and move shift lever to full back (L) position. Disconnect negative battery terminal before proceeding.



10. Order of Installation
 - a. Interior preparation - remove panels.
 - d. Install - Vehicle interface.
 - b. Install - Passenger Footwell light.
 - e. System check.
 - c. Install - Driver Footwell light.
 - f. Reinstall - Panels.

INSTALLATION INSTRUCTIONS - Accent Lighting Kit

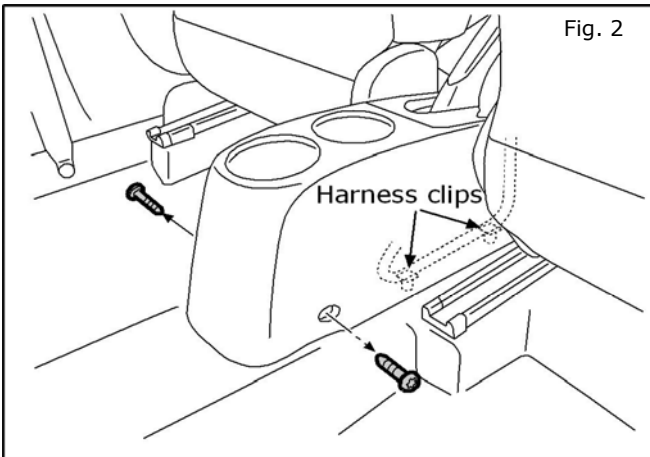
11. INTERIOR PREPARATION



CAUTION: BE SURE TO PREP INTERIOR SURFACES WITH PROTECTIVE CLOTH OR LOW TACK MASKING TAPE TO PREVENT ANY SCRATCHING OR BLEMISHES TO THE INTERIOR

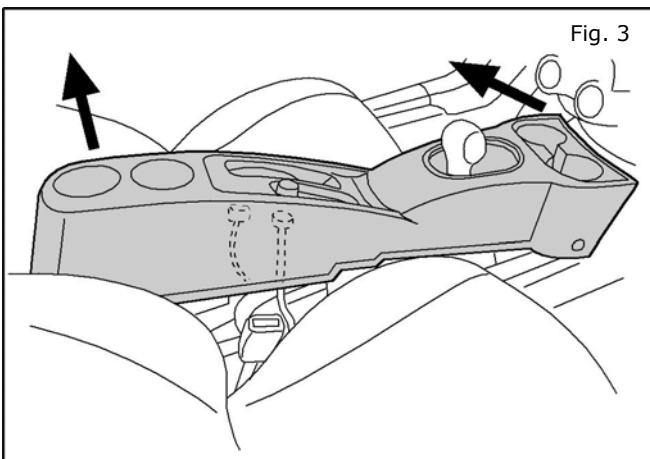
1. Remove two (2) plastic clip fasteners on either side of the center console.

NOTE: Slide both seats fully forward and pull emergency brake handle all the way up at this time.

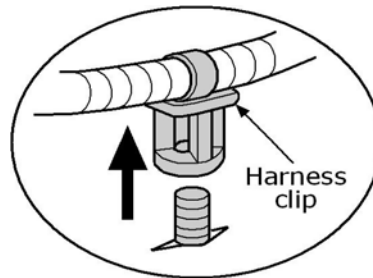


2. Remove two (2) T-20 Torx fasteners at the back of the center console on both sides.

Note: Turn ignition to "ON" position. Place shifter in "D" position. Turn ignition off.

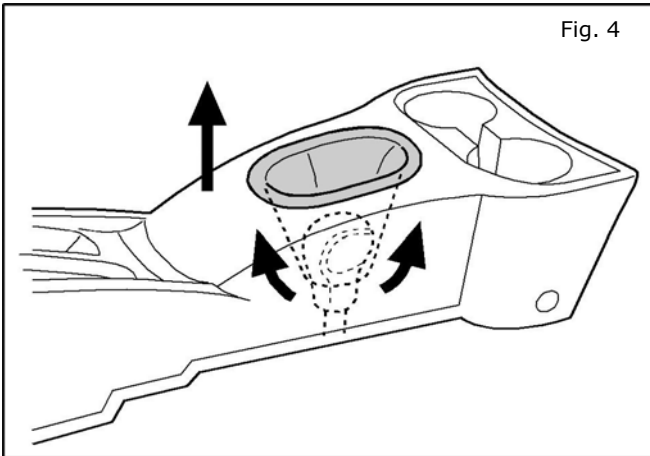


3. Loosen the center console by lifting the front slightly, then lift the back. Release two (2) harness clips at metal studs. Leave the harness plugs connected.

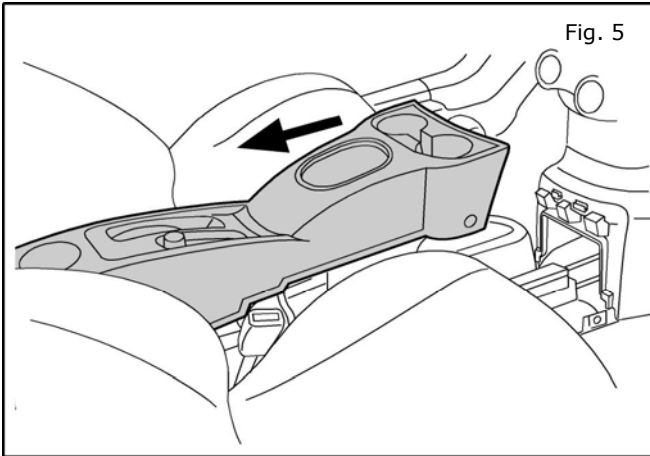


INSTALLATION INSTRUCTIONS - Accent Lighting Kit

12. INTERIOR PREPARATION



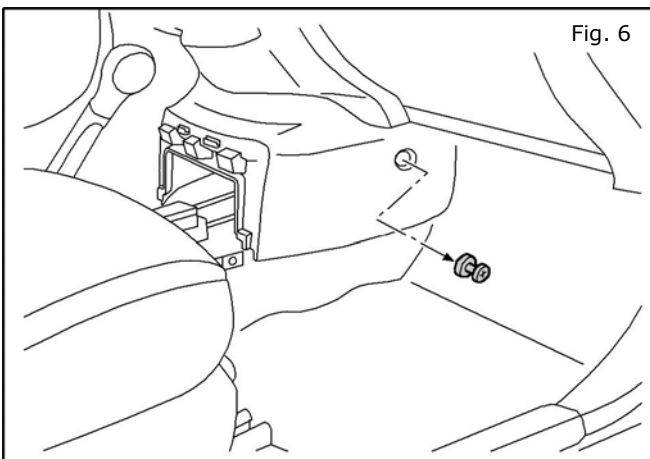
4. If vehicle is equipped with **manual** shifter, remove the shifter boot by carefully stretching the elastic collar up over the shift knob.



5. Carefully position the center console back as far as the harnesses underneath will allow.

NOTE: Be careful not to scratch or damage any other interior components.

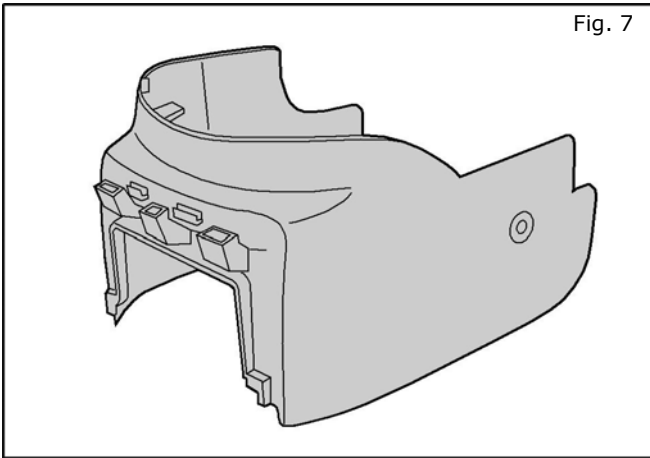
Slide both seats all the way to the rear at this time.



6. Remove two (2) plastic clip fasteners on either side of the center stack bottom finisher panel.

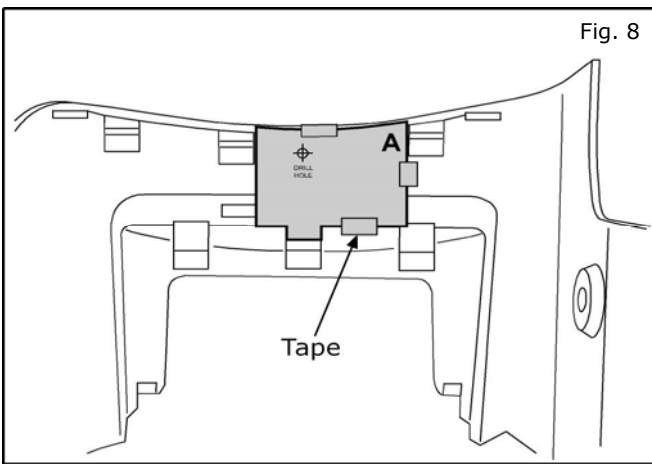
INSTALLATION INSTRUCTIONS - Accent Lighting Kit

12. INTERIOR PREPARATION



7. Remove the center stack bottom finisher panel and set aside.

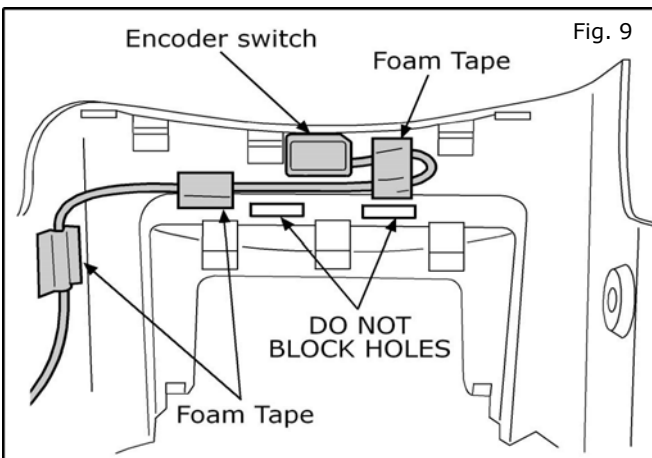
13. INSTALLATION



8. Place center stack bottom finisher panel face down on work surface. Be careful not to scratch the surface.

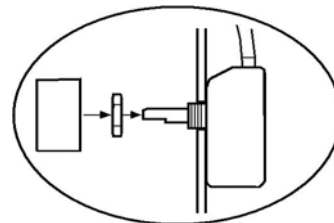
Trim out template "A" and tape into place inside center of panel as shown. The template should be positioned with the letter "A" in the upper right hand corner.

Mark and drill one (1) 5/16 inch hole at the location indicated on the template. Remove the template. Clean any flashing from the hole.



9. **Install** the encoder so that the shaft is outside the front of the finisher panel.

Use 11mm nut to secure the encoder. Install control knob over shaft of encoder.

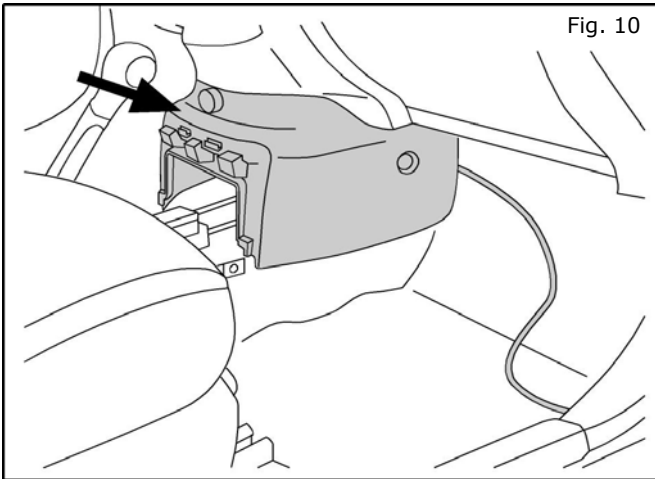


Route the wiring and secure with foam tape as shown.

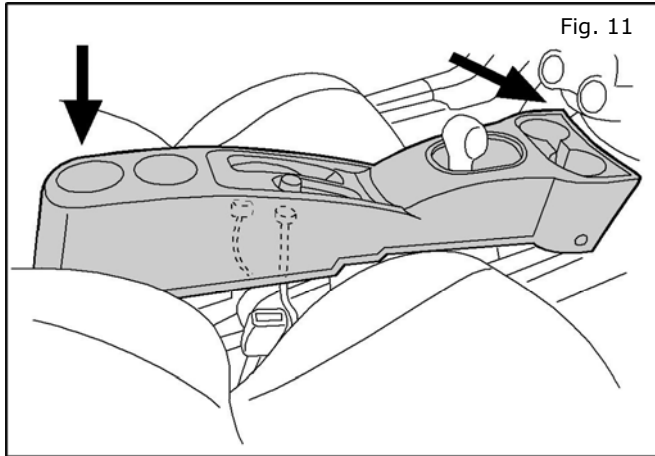
NOTE: Be sure not to block the two hole slots below the encoder switch.

INSTALLATION INSTRUCTIONS - Accent Lighting Kit

13. INSTALLATION



10. **Reinstall** the center stack bottom finisher panel.

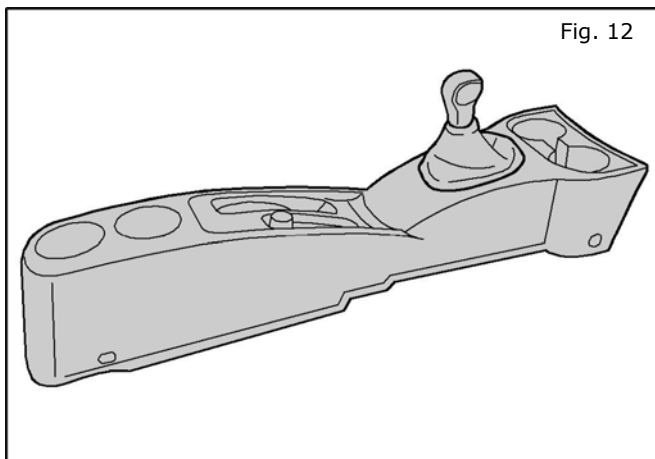


11. Carefully slide the center console back over the parking brake and shifter. Place the console back into position over the two rear retaining screw locations.

Reconnect the two (2) harness clips by reaching under from the back.

NOTE: Be careful not to scratch or damage any other interior components.

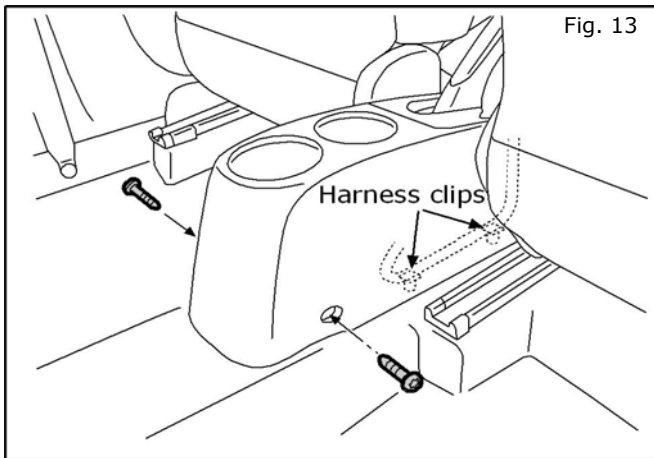
Slide both seats all the way forward at this time.



12. If vehicle is equipped with **manual** shifter, **reinstall** the shifter boot by carefully stretching the elastic collar down over the shift knob.

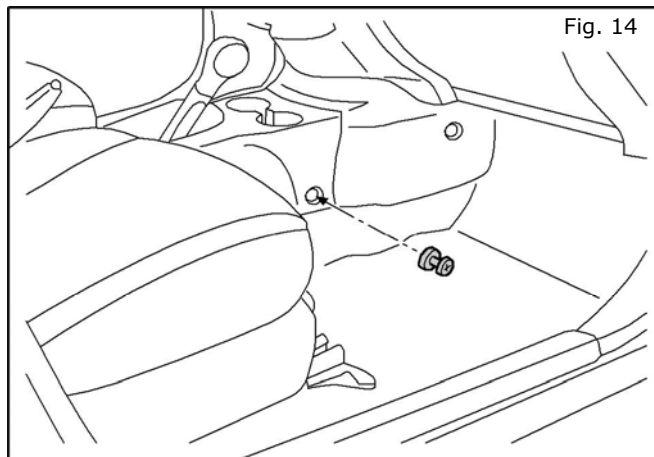
INSTALLATION INSTRUCTIONS - Accent Lighting Kit

13. INSTALLATION

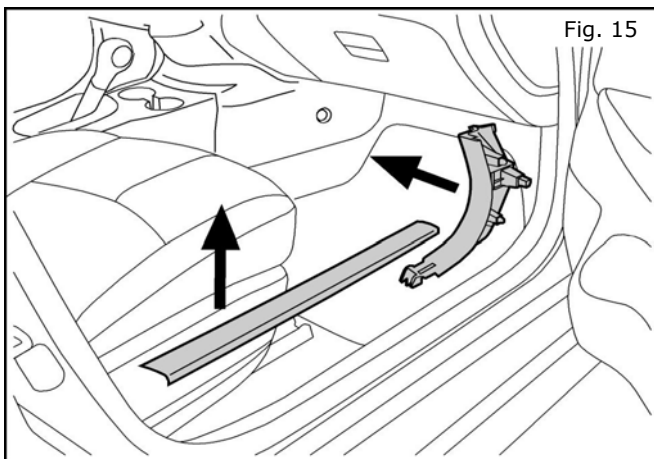


13. **Reinstall** two (2) T-20 Torx fasteners at the back of the center console on both sides.

Slide both seats all the way to the rear at this time.



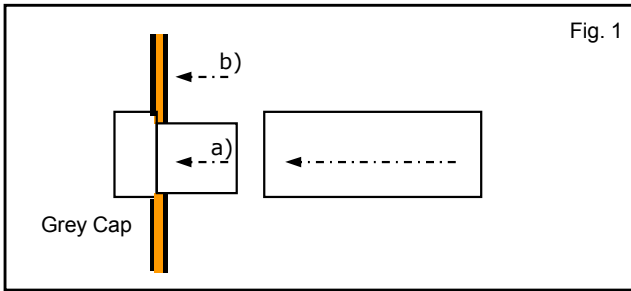
14. **Reinstall** two (2) plastic clip fasteners on either side of the center console.



15. Remove the passenger side door sill trim panel the outer footwell trim panel as shown.

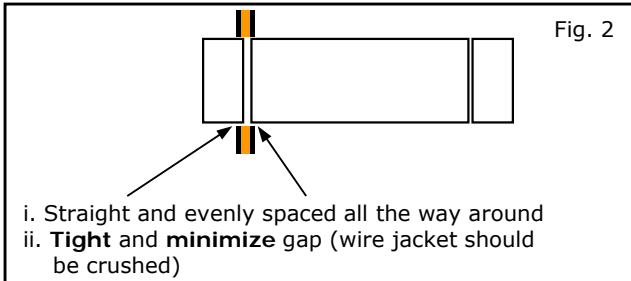
INSTALLATION INSTRUCTIONS - Accent Lighting Kit

14. POSI TAP INSTRUCTIONS



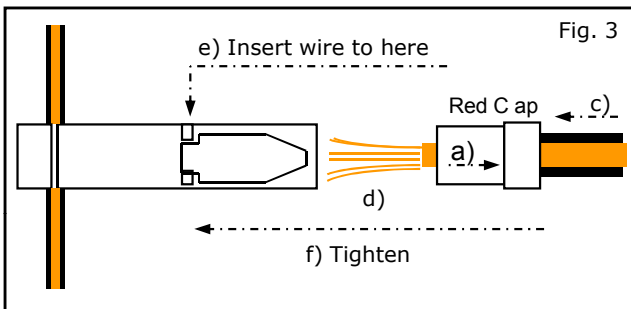
- 1) Tap vehicle wire.
 - a) Remove grey cap (slot side) from tap body.
 - b) Slide cap around vehicle wire.
 - c) Tighten the tap **TIGHT** with finger pressure.

NOTE: Do not re-use the tap for subsequent re-installation. Figures are not to scale



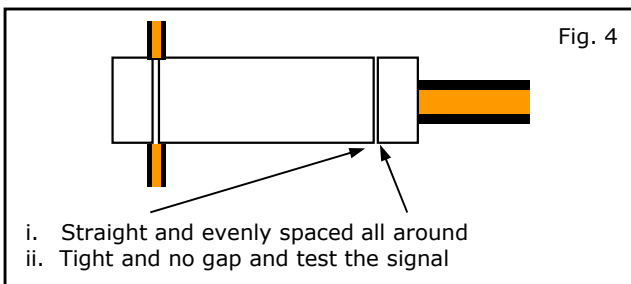
- 2) Inspect the tap to ensure correct installation.

NOTE: Avoid putting pressure on the vehicle wire and tap for the remainder of the installation.



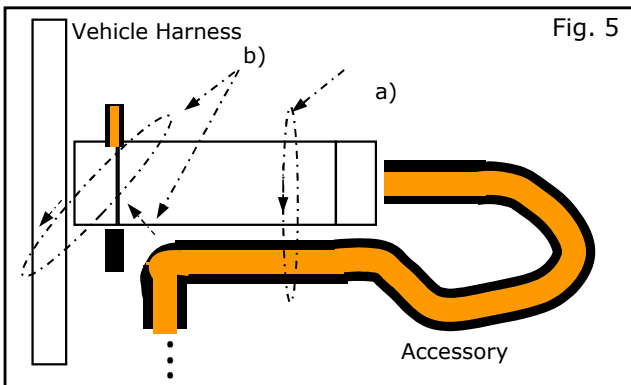
- 3) Inspect the tap to ensure correct installation.

- a) Remove red cap (non-pierce) side from tap.
- b) Remove the protective stub from the wire.
- c) Insert wire through the non-pierce side opening.
- d) Spread the individual strands into fan shape.
- e) Insert wire into the tap body and ensure that it is all the way in.
- f) Tighten the tap **TIGHT** with finger pressure.



- 4) Confirm the tapped accessory wire.

- a) Inspect the tap to ensure correct installation.
- b) Test the signal to ensure that it is working properly.

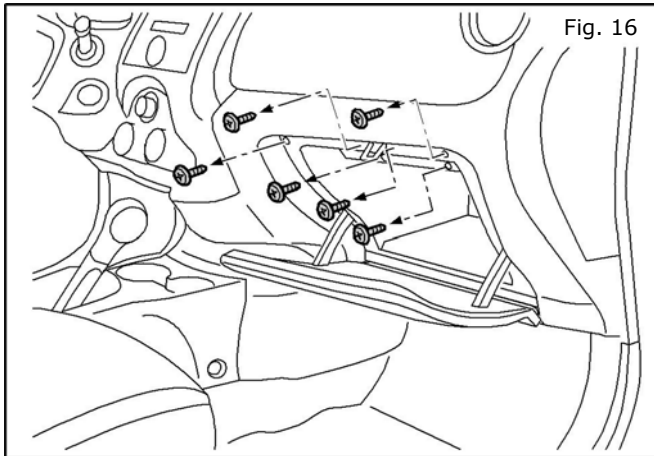


- 5) Secure the tap.

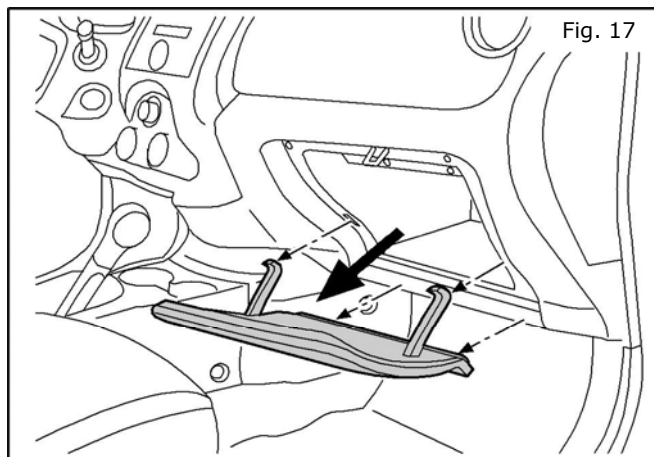
- a) Secure the tapped wire on the non-pierce side to the body of the tap with electrical tape (≥ 2 revolutions).
- b) Secure the body to harness where vehicle wire is being tapped with electrical tape (≥ 2 revolutions).

INSTALLATION INSTRUCTIONS - Accent Lighting Kit

15. INSTALLATION



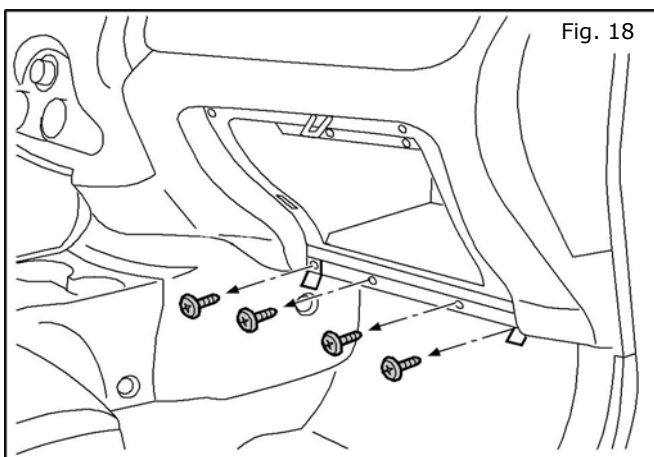
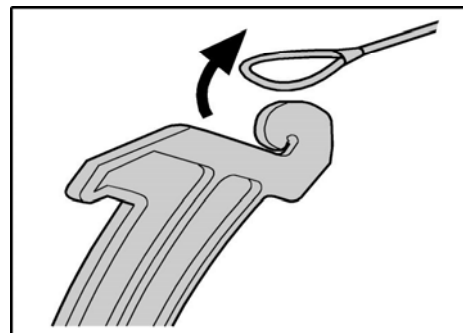
16. Open the glovebox door. Remove six (6) screws from the upper half of the glovebox compartment as shown.



17. Press down **firmly** on the glovebox door side supports to release them and then unsnap the door from the lower hinge.

Set the glovebox door aside.

- Note:** Be sure to unhook the retractor cable loop from the back of the support arm.

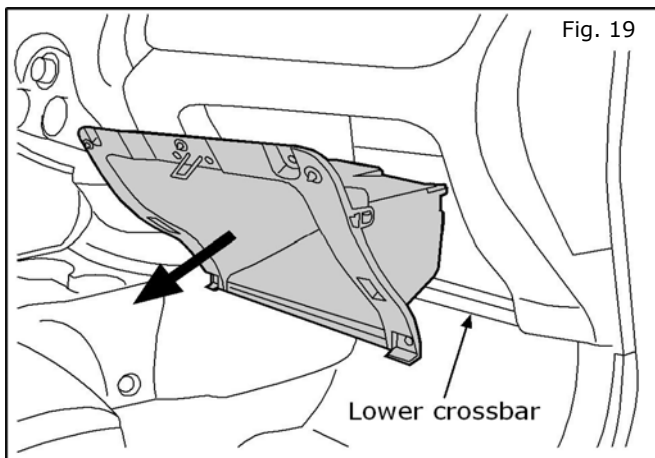


18. Remove four (4) Phillips screws from the bottom of the glovebox compartment.

- Note:** Two of the screws are behind cover panels. Use a trim stick to open the cover panels.

INSTALLATION INSTRUCTIONS - Accent Lighting Kit

15. INSTALLATION

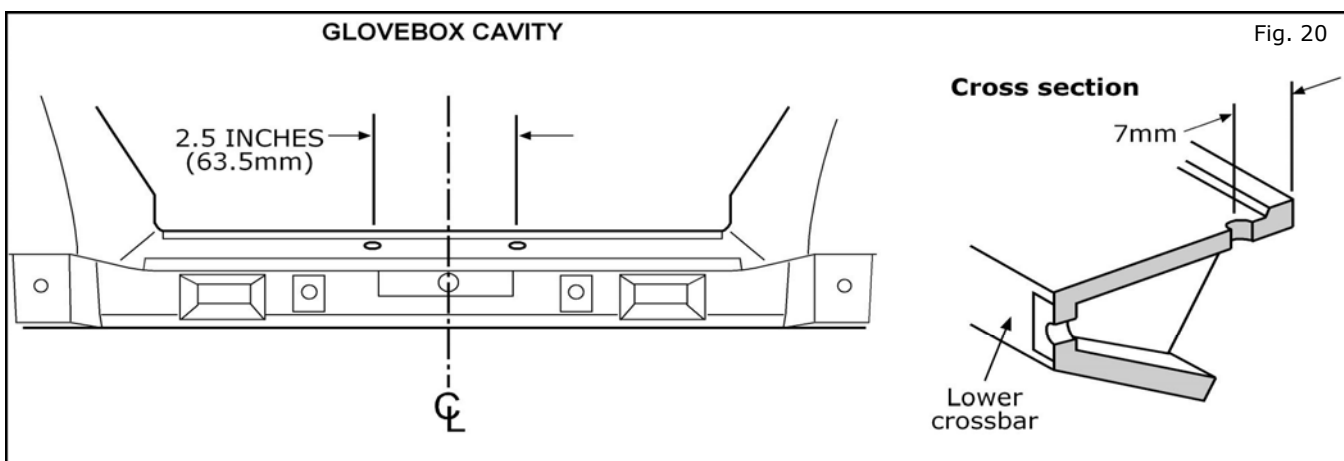


19. Grip the door latch loop and pull down and outward to remove the glovebox compartment.

Set the compartment aside.

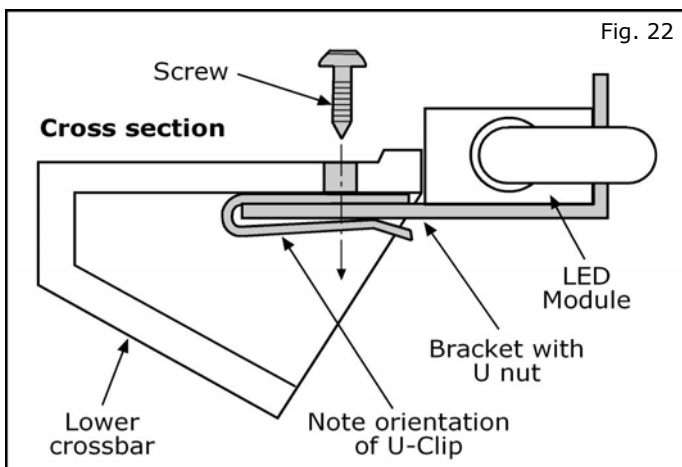
NOTE: Apply masking tape as needed to surfaces to avoid scratches.

Be sure not to lose any of the J-Clips that the glovebox screws attach to.



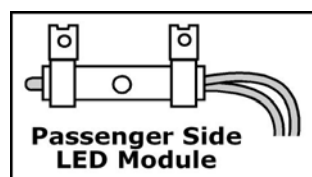
20. Prepare to mark drill locations at the glovebox opening. Locate center on the lower cross bar. Measure and mark 7mm in from the back edge. Mark the left and right mounting holes 2.5 inches (63.5mm) apart across the center of the lower cross bar as shown. **The LED Module can be used to help locate and mark the holes if necessary.**

21. Carefully drill a 3/16 inch hole at both locations.



22. Using two (2) phillips screws from the top of the cross bar, securely attach the two (2) "L" brackets with U nuts to the underside of the lower cross bar as shown.

NOTE: Be sure you are mounting the passenger side LED Module with TWO wires coming out of it.

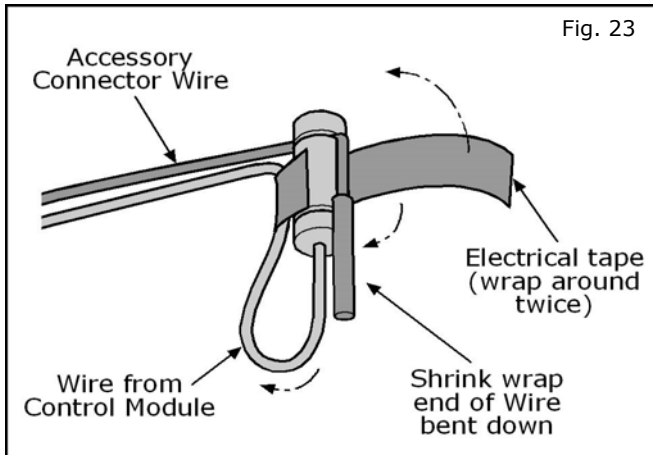


INSTALLATION INSTRUCTIONS - Accent Lighting Kit

15. INSTALLATION

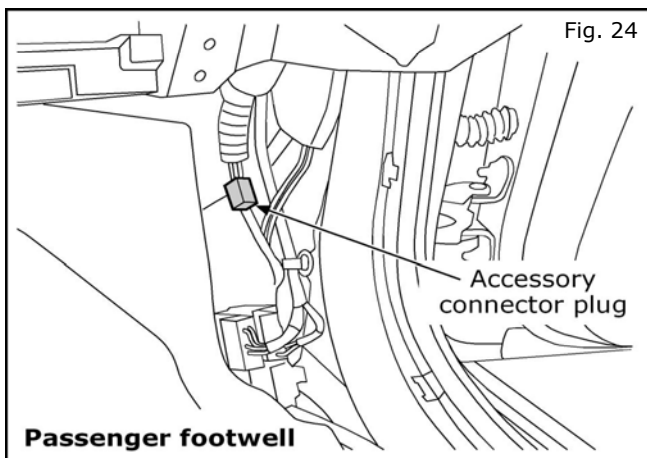
CAUTION

- If a vehicle wire is being used by another accessory and a posi-Tap is present, tap the accessory wire NOT the vehicle wire.



23. Follow this finishing procedure on all **posi-taps**. Leave a short length of wire extended past the posi-tap and bend down as shown. Use electrical tape to secure the extra wire against the posi-tap with at least two revolutions.

Note: Make sure that the end of the wire is completely covered by the tape.

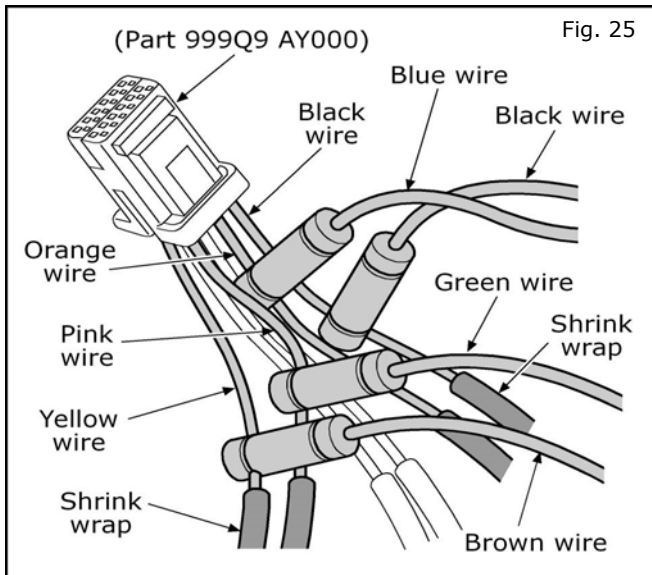


24. Locate the **passenger side** Accessory Connector plug. It will be below the glovebox on the right side.

Note: A previously installed accessory may be present. If so, carefully remove the accessory connector harness from the accessory connector plug before posi-tapping. It is recommended that all posi-tapping be completed before reattaching the accessory connector harness to the plug.

INSTALLATION INSTRUCTIONS - Accent Lighting Kit

15. INSTALLATION



25. Using a posi-tap, connect the **Black** wire from the power harness to the **Black** wire on the Accessory Connector Harness.

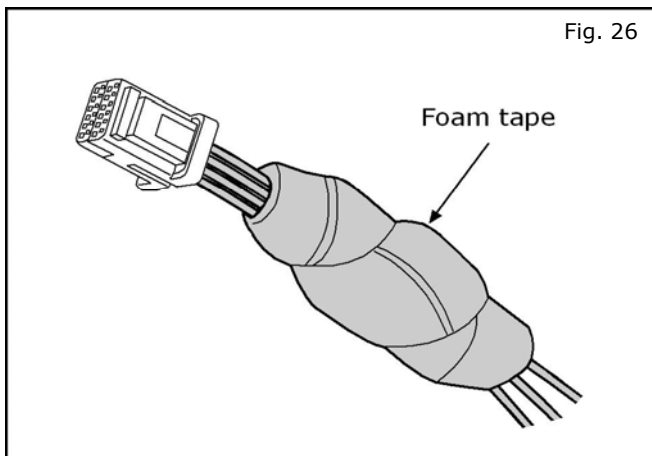
Using a posi-tap, connect the **Green** wire from the power harness to the **Pink** wire on the Accessory Connector Harness.

Using a posi-tap, connect the **Brown** wire from the power harness to the **Yellow** wire on the Accessory Connector Harness.

Using a posi-tap, connect the **Blue** wire from the power harness to the **Orange** wire on the Accessory Connector Harness.

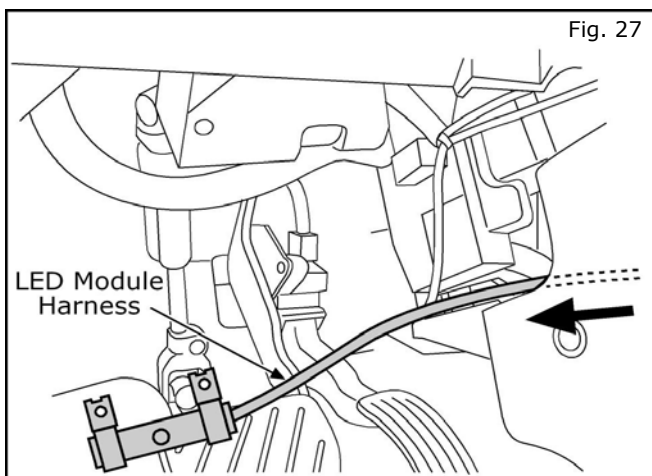
Note: Be sure **NOT** to posi-tap through the shrink wrap tubing.

HARNESS NOT INCLUDED IN KIT.
REFERENCE PART NUMBER
999Q9 AY000.



26. Wrap the posi-taps with foam tape to prevent rattle.

Plug the Accessory Connector Harness into the vehicle connector plug on the passenger side.

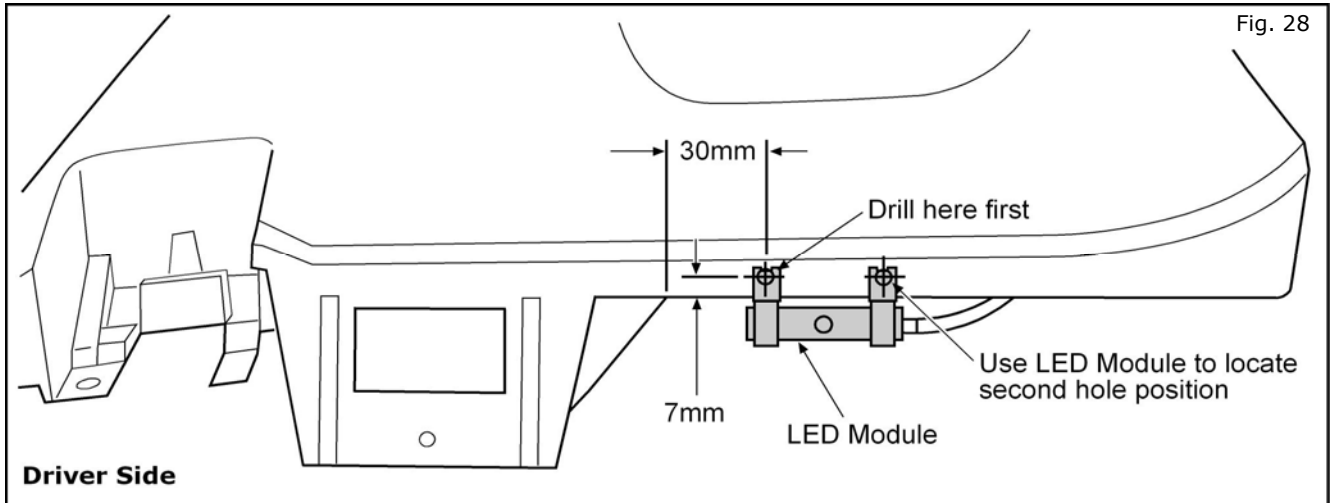


27. From the passenger side, route the driver side LED harness through the center stack area, being sure to come out on the driver side to the left of the steel support.

INSTALLATION INSTRUCTIONS - Accent Lighting Kit

15. INSTALLATION

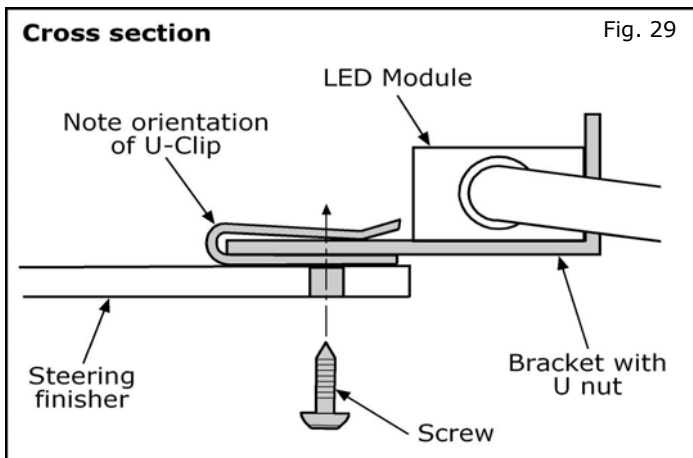
DRIVER SIDE LED MODULE INSTALLATION



28. Using a metric scale or ruler, measure and mark 7mm from the bottom edge of the steering finisher panel as shown.

Measure and mark 30mm from angled edge of the DDL opening as shown.

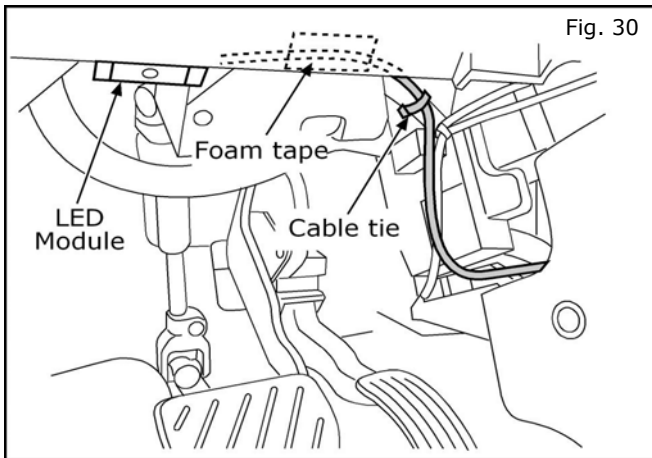
Use a 3/16 inch drill to drill the first hole location as indicated. Hold the LED module in position and mark the second hole location. Remove the LED module. Use a 3/16 inch drill to drill the second hole location as indicated.



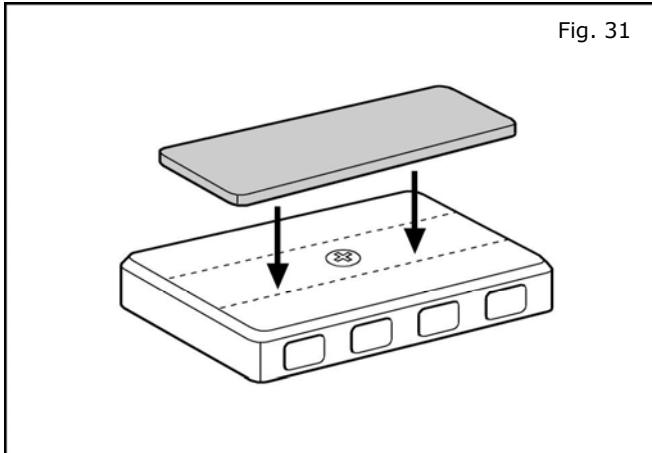
29. Place the driver side LED module on the **inside** of the steering finisher panel with the LED facing **downward**. Use two (2) phillips screws from the outside of the panel to mount the driver side LED module.

INSTALLATION INSTRUCTIONS - Accent Lighting Kit

15. INSTALLATION



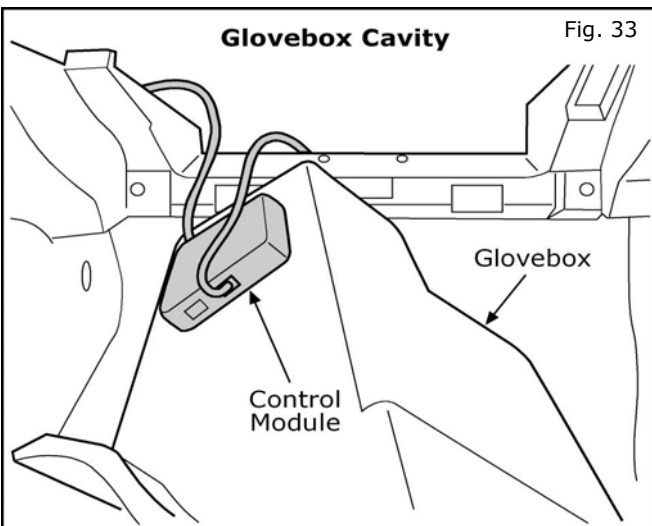
30. Secure the LED harness under the steering finisher panel with foam tape and cable ties as shown.



31. Attach one (1) 58mm x 82mm foam tape to the underside of the accessory control module, covering the screw in the center.

NOTE: Do NOT pull the cover off the tape on controller at this time.

32. On the opposite side of the control module, place one (1) piece of grey foam tape.



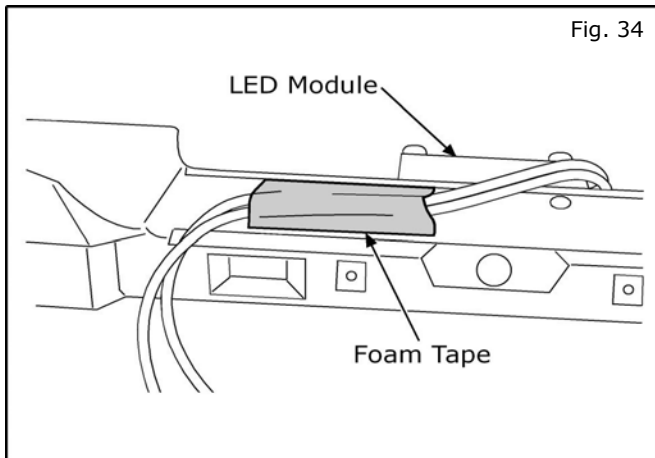
NOTE: Use the alcohol wipes provided to wipe the glovebox surface clean before mounting.

33. Peel the cover off the tape on the controller and place the controller on the flat inner side of the glovebox as shown.

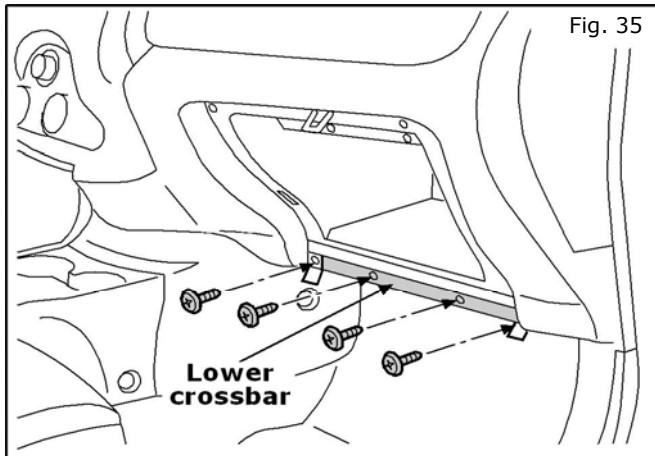
Route the LED and power harnesses out through the glovebox cavity **above** the lower crossbar. Plug the harness connectors into the control module.

INSTALLATION INSTRUCTIONS - Accent Lighting Kit

15. INSTALLATION

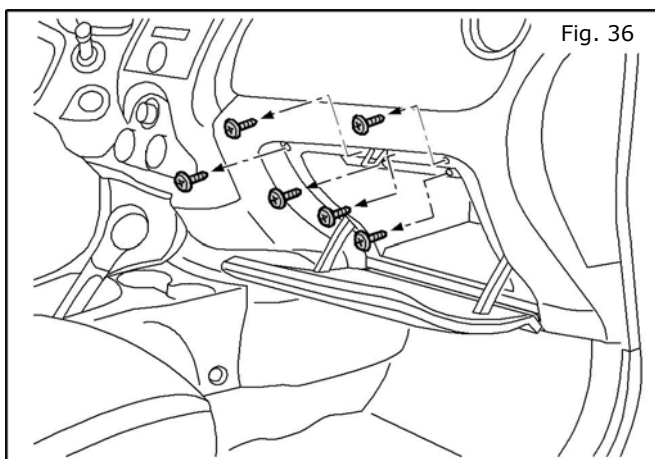


34. Secure the wires from the LED Module to the top of the lower cross bar with foam tape as shown.



35. **Reinstall** the glovebox compartment. Install four (4) phillips screws in the bottom of the glovebox compartment.

Note: Be sure not to kink or bind any of the harnesses when inserting the glovebox.

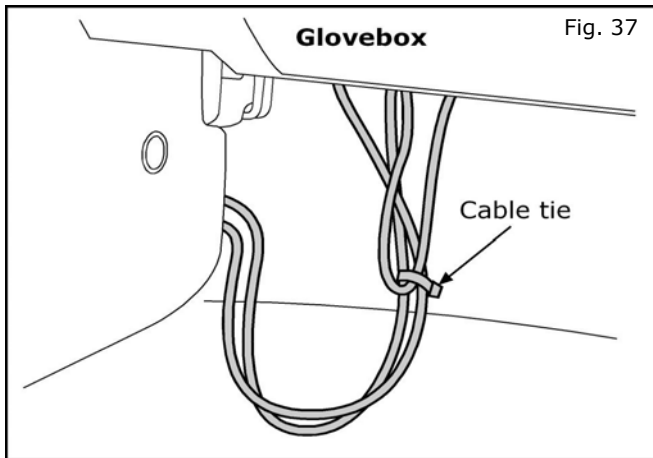


36. Install six (6) screws in the upper half of the glovebox compartment.

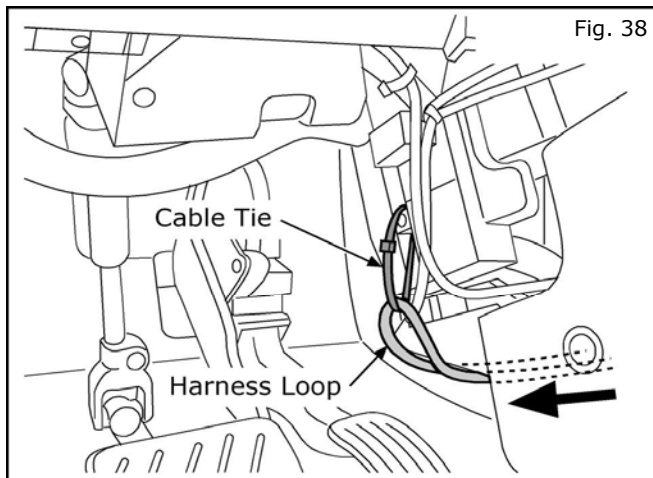
Reinstall the glovebox door by carefully snapping the door onto the lower hinge and the side support arms back into both slots.

INSTALLATION INSTRUCTIONS - Accent Lighting Kit

15. INSTALLATION

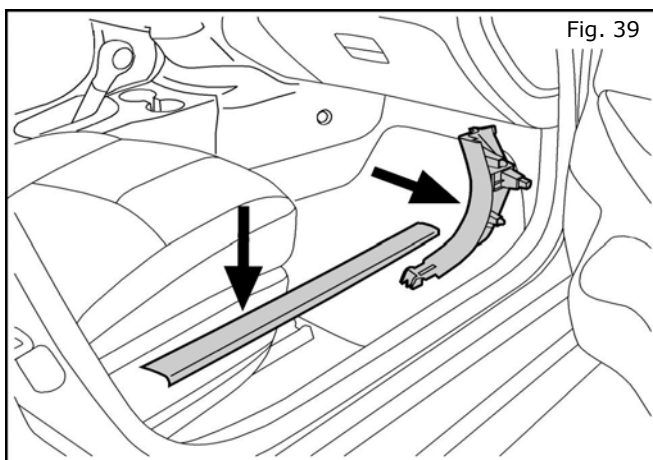


37. Secure the harnesses hanging below the glovebox together with a cable tie as shown.



38. Feed the extra harness loop back through the center stack to the driver side under the HVAC. Secure with a long cable tie as shown.

NOTE: Be sure all wires are hidden from view and properly secured with cable ties and foam tape to prevent any rattle against the inside of the trim panels.



39. **Reinstall** the outer footwell trim panel and the side door sill trim panel.

NOTE: Trim all cable ties. Check installation.

INSTALLATION INSTRUCTIONS - Accent Lighting Kit

16. CHECK OUT

- (1) Shut all doors on the vehicle.
- (2) Wait until all interior lamps go out.
- (3) Turn on the headlamps.
- (4) Verify that both LEDS come on.
- (5) Check the trim for a proper, flush fit after re-installing the interior components.
- (6) Clean the interior of the vehicle.
- (7) Inspect the vehicle interior and exterior for damage.
- (8) Check and clear trouble codes (DTC).
- (9) If this vehicle will be returned to a dealer lot or showroom for an extended period of time, be sure the extended storage switch is placed in the "inventory" position. (Refer to section 9 - Vehicle Preparation)
- (10) If vehicle is NOT going into storage, reset the radio presets to the recorded settings.

Note: When diagnosing electrical system problems, first disconnect the accessory connectors and note effect on system. Continue the investigation with the accessory connectors disconnected. Remember to reconnect the accessories when the investigation is complete.

INSTALLATION INSTRUCTIONS - Accent Lighting Kit

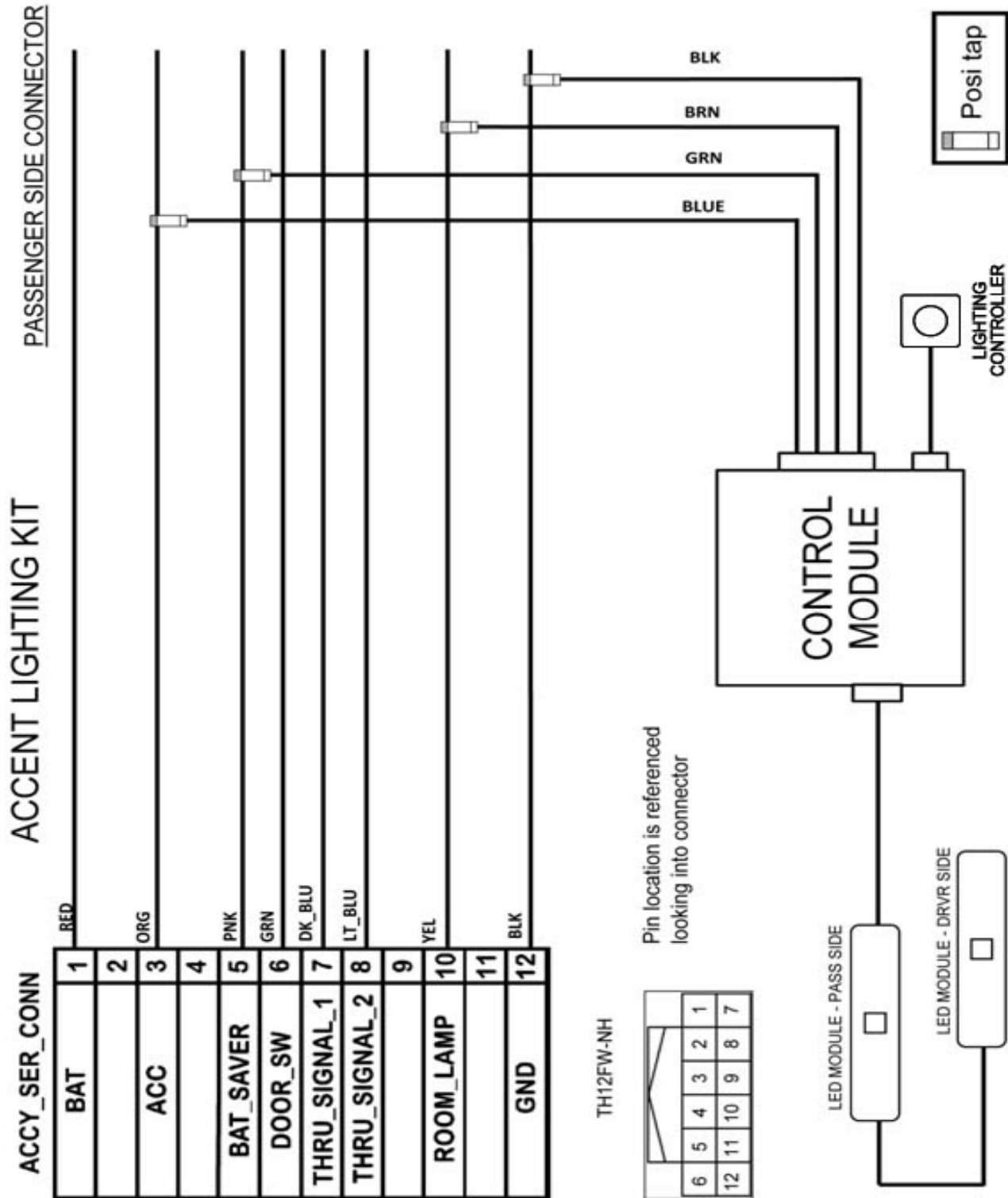
17. BILL OF MATERIALS

Nissan Universal Accent Lighting Kit - 999F3 4Z000

	Parts Contained in Bag Labelled 'Installation Kit'.	Qty	Part Number
1	Control module: Single Color/Multi Intensity	1	999F3 AW004
2	Encoder and harness assembly	1	999F3 AW006
3	LED Lamp Assembly (w/Harness)	1	999F3 4Z010
4	Miscellaneous Parts Kit	1	999F3 4Z030
5	Harness Vehicle interface; 4 wire 6 way connector	1	999F3 AW050
6	Cable ties 15" long - black	7	
7	Cable ties 4" long - black	8	
8	Grey adhesive foam 80 X 30 X 5MM - 1 sided	16	
9	Posi-tap connectors part No EX130-RR	4	999M1 VT000
10	Pozi drive + flange head (1/2" dia) No 8 self tap screw 1/2" long-black	4	
11	Module adhesive pad - 2 sided	1	
12	U-Nut	4	
13	Control knob (25mm dia x 14mm height)	1	999F3 AW002
14	Encoder nut - M8 x .75 (Black)S	1	
15	Alcohol preparation wipe	4	
16	II Website Location Template	0	999F3 AW001
17	Installation Instructions (Website)	0	999F3 XZ000II
18	Quick reference guide	1	999F3 AW007
19	Accessory Connector Harness (NOT INCLUDED IN KIT)	1	999Q9 AY000

INSTALLATION INSTRUCTIONS - Accent Lighting Kit

18. MECHANIZATION



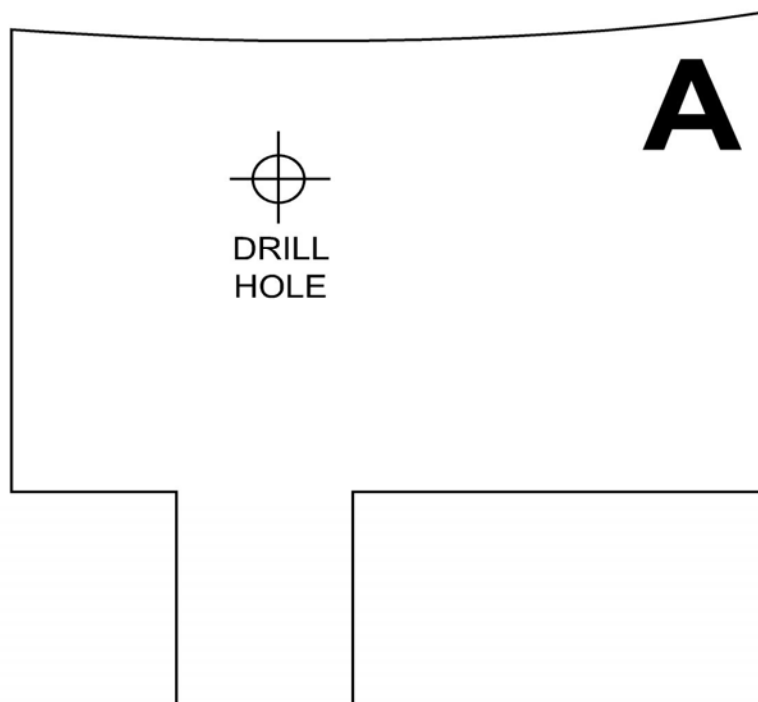
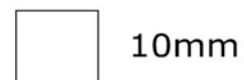
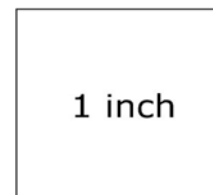
INSTALLATION INSTRUCTIONS - Accent Lighting Kit

18. MECHANIZATION

(BACK BLANK PAGE)

INSTALLATION INSTRUCTIONS - Accent Lighting Kit

19. TEMPLATE A



INSTALLATION INSTRUCTIONS - Accent Lighting Kit

19. TEMPLATE A

(TEMPLATE BACK BLANK PAGE)